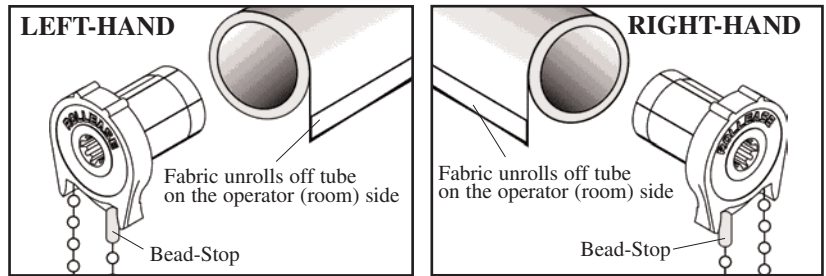




1. DETERMINE IF BEAD CHAIN OPERATION WILL BE ON RIGHT OR LEFT SIDE OF THE SHADE

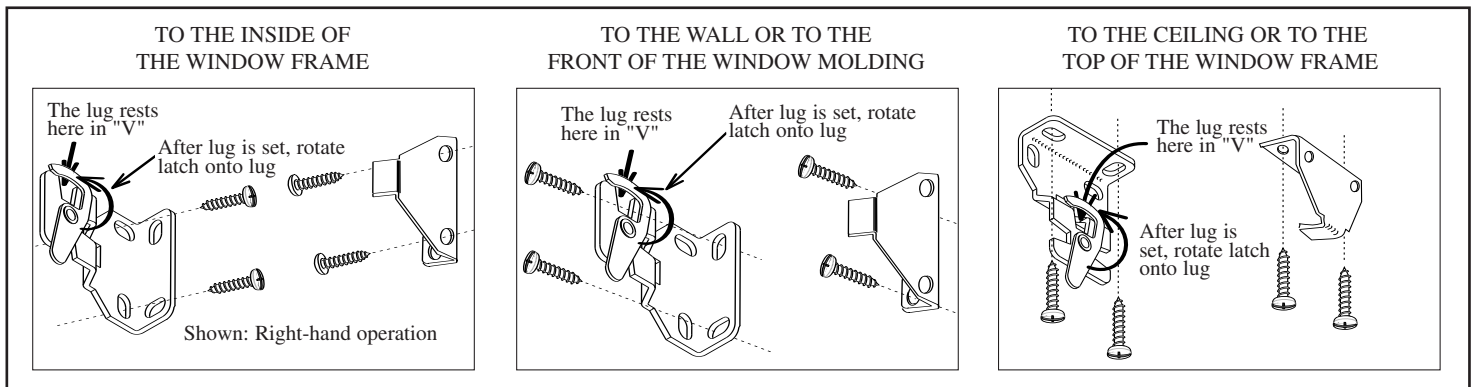
2. POSITION BEAD-STOP FOR RIGHT OR LEFT-HAND OPERATION

- a. Position the shade so the fabric rolls off the tube on the operator (room) side as shown.
- b. Position the bead-stop on the front side of the clutch before inserting the clutch into the tube.
- c. Grasp the clutch on the outside housing and pull the chain through the clutch till it is positioned as shown — for right-hand or left-hand operation.



3. INSERT THE CLUTCH AND END-PLUG INTO TUBE

- a. Roll the fabric all the way onto the tube.
- b. Position the tube so the fabric will roll off on the operator (room) side.
- c. Insert the clutch fully into the tube, and insert the end-plug on the opposite side.



4. MOUNT THE BRACKETS FOR RIGHT OR LEFT-HAND OPERATION

If the clutch is on the right end of the shade, attach the brackets to the window frame, window molding, wall or ceiling, as shown above. If the clutch is on the left end of the shade, reverse the bracket positions, left for right.

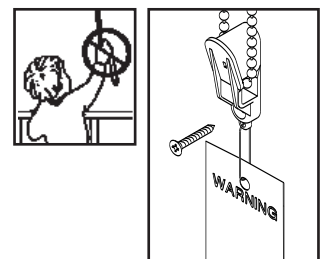
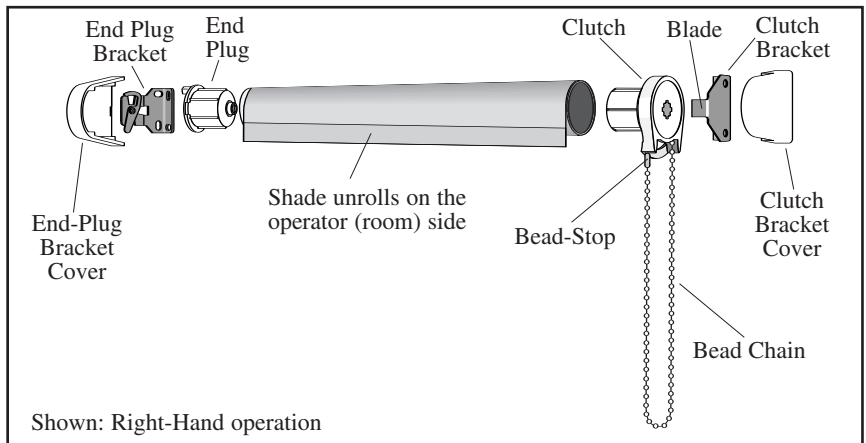
5. INSTALL THE SHADE INTO BRACKETS

- a. Push the clutch straight onto the blade of its bracket. The bottom of the clutch should always point straight down.
- b. Lower the lug of the end-plug onto the "V" of its bracket. The roller should fit in the brackets securely, with just a little play. Rotate the latch to lock the lug in position.
- c. Slide bracket covers onto the brackets (optional).

6. INSTALL THE TENSION DEVICE

The tension device reduces the hazards of strangulation and entanglement of young children by limiting access to the bead chain. Anchor the tension device, attached to shade's bead chain, to the window frame or wall, so that young children cannot pull the chain around their necks.

- a. Lower the shade.
- b. Hold the tension device upright so the warning tag hangs straight down as shown in diagram (only consumer may remove warning tag).
- c. Position the tension device on the window frame or wall so that it and the control cord do not interfere with raising or lowering the shade -- then install it 1/4" higher to allow the bead-stop to pass through the device. **Position the device without stretching or pulling down on the bead chain since this will cause excessive wear. Do not twist or cross the bead chain.**
- d. Holding the tension device upright and in position as shown, insert and secure the screw through the hole. **The mounting screw must be secured into a solid surface or molly.**



7. USE THE BEAD CHAIN TO OPERATE THE SHADE

Pulling down gently on one side of the chain raises the shade; pulling on the opposite side lowers it. On shades where the fabric rolls toward the room, the front chain does the lowering, the back chain does the raising.